

New Product Announcement!

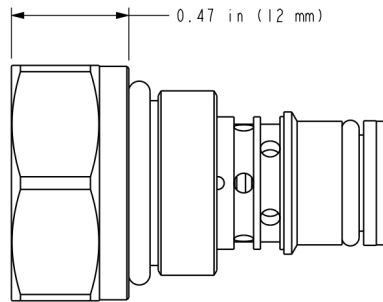
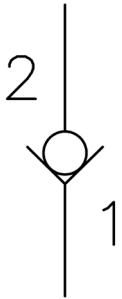


Nose-to-side
Check valve
5000 psi (350 bar)
Sun Common

Model: CXTA

For detailed specifications visit www.sunhydraulics.com

Functional Symbol and Cartridge Dimensional Drawing



Technical Features

This nose-to-side check valve allows free flow from the inlet (Port 1) to the outlet (Port 2) and blocks flow in the opposite direction.

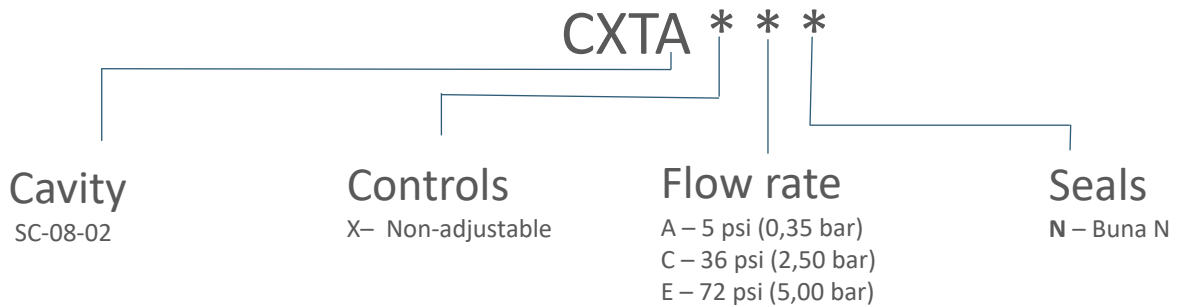
- This check valve offers very low leakage rates.
- All ports are rated to max operating pressure of 5000 PSI (350 bar).
- The cartridge installation torque of 30 lbf-ft (41 Nm) is required for best performance.



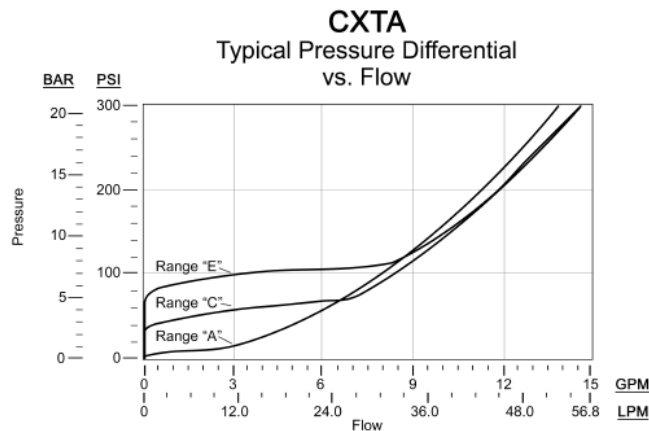
Technical Data

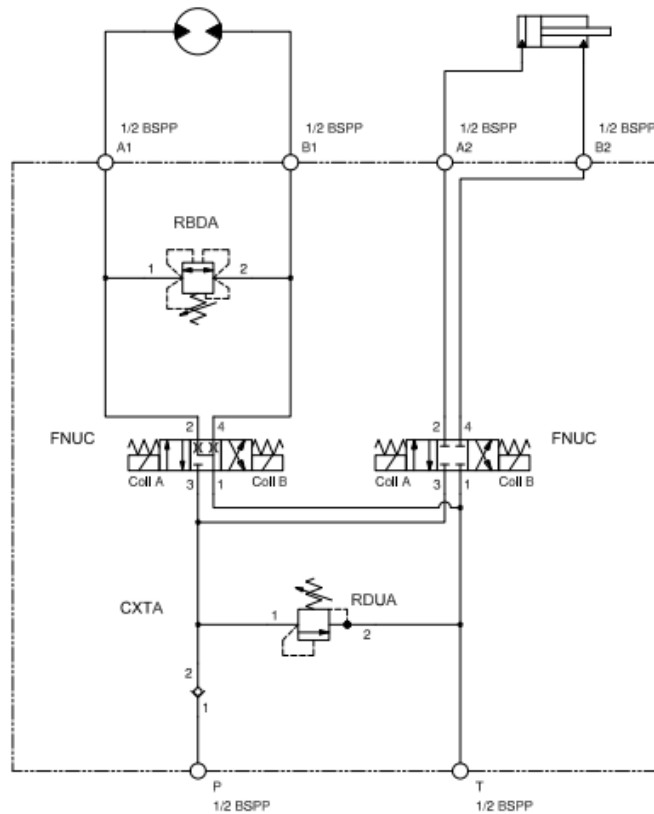
Cavity	SC-08-02	
Series	0C	
Maximum Flow Rate	10 gpm	40 L/min
Maximum Operating Pressure	5000 psi	350 bar
Maximum Valve Leakage at 110 SUS (24 cSt)	5 drops/min	
Valve Hex Size	24mm	
Valve Installation Torque	29 – 31 lbf ft	39 – 42 Nm
Model Weight	0.22 lb	0.09 kg

Model Code Options



Performance Curve





The CXTA cartridge is a check valve that fits the SAE08 size cavity. This product is very compact and economical. For systems with a maximum pump flow of 10 gpm, this product can fit many mobile application such as this forklift. The check valve leakage will not exceed 5 drops/minute and has a maximum operating pressure of 5000 psi.



delivering
innovative fluid power
solutions
that enhance our world

**Sun Hydraulics
Headquarters**
Sarasota, FL USA
Ph: +1 941-362-1200

Sun Hydraulics Limited
Coventry, England
Ph: +44-2476-217-400

Sun Hydraulik GmbH
Erkelenz, Germany
Ph: +49-2431-8091-0

Sun Hydraulics (India)
Bangalore, India
Ph: +0091-80-28456325

**Custom Fluidpower
Pty Ltd**
(A Sun Hydraulics
Company)
Newcastle, Australia
Ph: +61 02 4953 5777

**Sun Hydraulics Korea
Corp.**
Incheon, Korea
Ph: +82-32-813-1350

**Sun Hydraulics China
Co. Ltd**
Shanghai, China
Ph: +86 2162 375885

**Sun Hydraulics
(S. America)**
Rosario, Argentina
Ph: +54 9 341 584 3075